

## GT STAY-GUARD ELITE

GT STAY-GUARD ELITE is a simple, easy and effective method of enhancing security for windows.

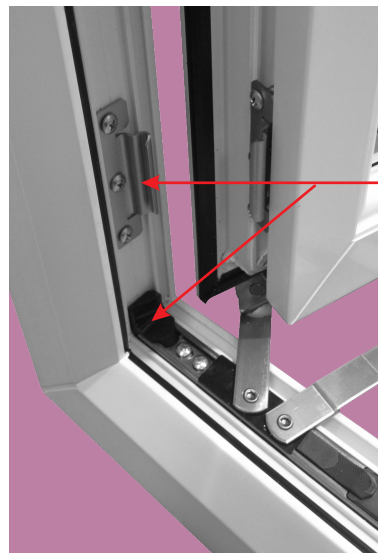
The unique engineered shape and design of Stay Guard Elite goes beyond meeting the industry's most demanding security standards.

This hinge protection device which, when fitted in conjunction with a friction stay, will assist in meeting the requirements of BS7950. Wherever possible, and to obtain the best performance, Stay-Guard Elite should be secured into reinforcement.

This product has been manufactured from high tensile steel that is five times stronger than most standard hinge protection devices.

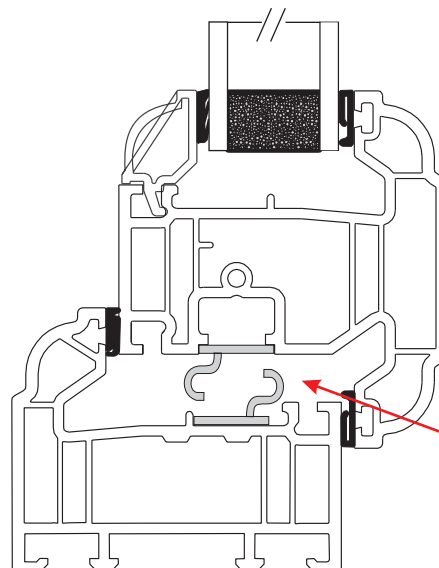
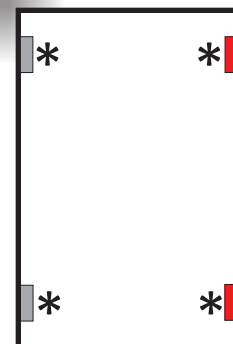
They are available in 17mm (SG036) and 13mm (SG035) standard stack heights.

All drawings are not to scale  
Reinforcement and fixings  
have been omitted for clarity  
Mainline Plastek screws were  
used for BSI testing



Fit Stay Guard Elite approx 75mm centres from the internal corner as show here. Secure using 4.8 X 25 carbon steel zinc coated screws

Fit run up blocks on opposite side to Stay Guards and pack the unit at the same positions marked \* to stop sash movement.



STAY GUARD ELITE SG036 on outer frame and sash for all types of stays to include Egress/Easy Clean