

Company:

Account No.

Address:

..... Postcode:

Tel:

Fax:

Contact Name:

Email:

Page of

Quote	<input type="text"/>
Order	<input type="text"/>

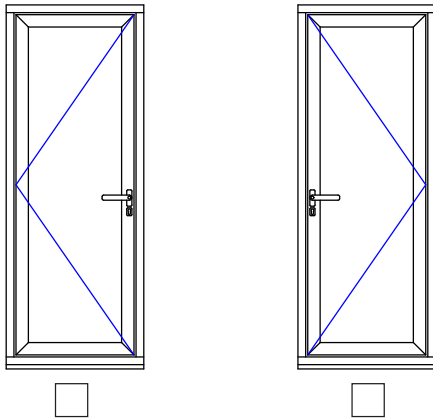
Requested Delivery Date:
(Lead time of 10 working days)

Order Reference:

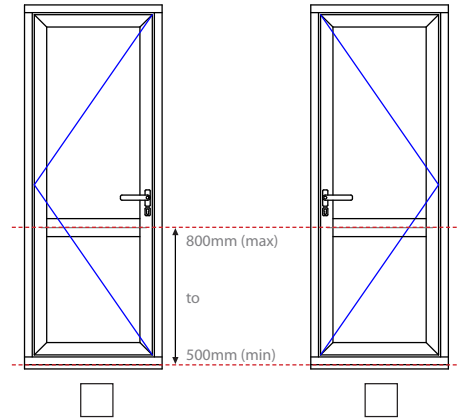
Signature:

AVAILABLE DOOR STYLES *(Viewed from outside. Please tick your choice.)*

RESIDENTIAL DOOR *(Viewed from outside)*

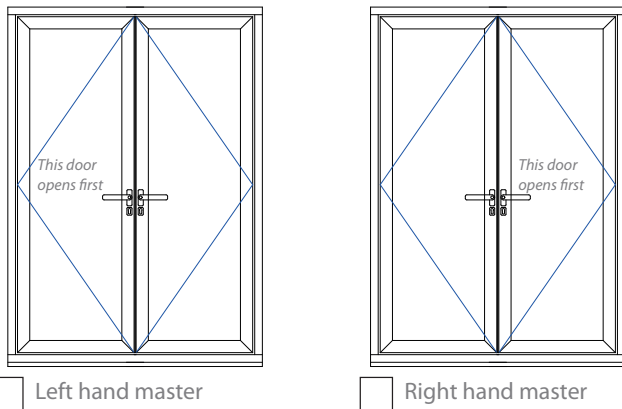


RESIDENTIAL DOOR with MIDRAIL *(Viewed from outside)*



Please note:
Triple glazing is not available with midrail options on either residential or French doors

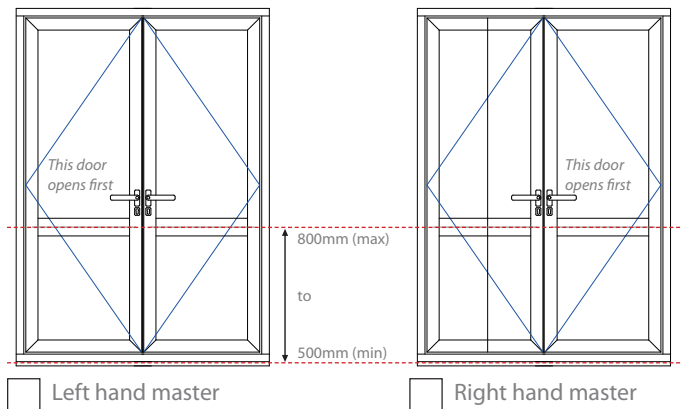
FRENCH DOOR *(Viewed from outside)*



Left hand master

Right hand master

FRENCH DOOR with MIDRAIL *(Viewed from outside)*



Left hand master

Right hand master

DOOR DIMENSIONS

Width: mm

Height inc. Sill: mm

Midrail Height: mm
(from underside of frame ignoring Sill option)

MIN/MAX FRAME SIZES

	Single	French
min width	700mm	1200mm
max width	1100mm	2200mm
min height	2000mm	2000mm
max height	2400mm	2400mm

OPENING IN/OUT

- Open in Open out

HARDWARE

- Anodised Silver (matt finish)
 Anodised Black (matt finish)
 Brushed Graphite

*Locks/keeps are Anodised Silver.
 Roller units are Black Anodised powder finish.
 Brushed Graphite uses Anodised Black hinges.*





GLAZING BEAD

- Squared/Squared - 28mm
 - 4 Sides
 Squared/Chamfered - 28mm
 - Chamfered Verticals
 Squared/Squared - 44mm
 - 4 Sides

SILICONE

- Colour matched to external colour - tick if not required

EXTERNAL STYLING

- Pencil Round 
 Chamfered 
 Squared 
 Decorative 

**44mm Triple Glazed - Pencil Round only*

FRAME COLOUR

External:

- White
 Cream
 Grey
 Black

Internal:

- White
 Cream
 Grey
 Black

SILL TYPE

- Standard integrated 120mm sill
 (Outward opening only) Frame - No sill
 Part M low threshold* Frame - 150mm sill**
 Part M low threshold ramp/cover*
 Part M low threshold ramp/ramp*

**All Silver Anodised Aluminium.*

***Part M low threshold is not compatible with 150mm sill.*


GLAZING OPTIONS

(All Toughened)

- Standard double glazed
 - 28mm (1.5 W/m²K U-value*)
 Celsius double glazed
 - 28mm (1.4 W/m²K U-value*)

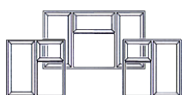
- Triple glazed - Not available with midrail options
 - 44mm (1.0 W/m²K U-value*)

Add Secured by Design upgrade

-  Standard double glazed (Laminated)
 - 28mm (1.5 W/m²K U-value*)

**Figures quoted are whole door U-values based on BFRC standard door*

Phone 01323 849123
Fax 01323 846009
Email sales@tradesmith.co.uk



TRADESMITH
 we excel in windows